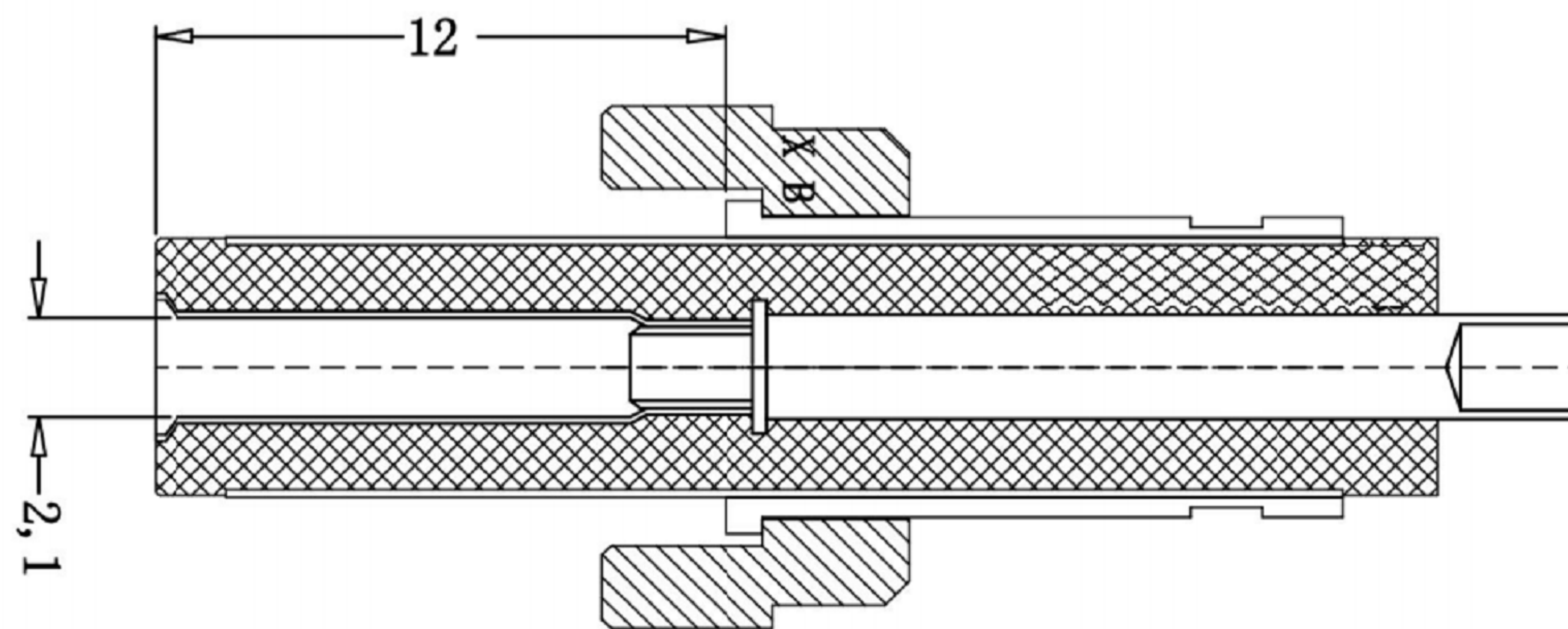


SPECIFICATION

1. Rating : DC 24V 5.0A ;
2. Contact resistance : $\leq 30m\Omega$;
3. Insulation resistance : $\geq 100M\Omega$;
4. Withstand voltage : 500VAC ;
5. Insertion force : 3-30N;
extraction force : 3-30N;
6. life test : 5,000 cycles °



Technology Request:

1. Outlook: No burr, no hurt.
2. Electronic performance:
 - a: Insulation resistance: Above DC500V/100M Ω ;
 - b: Endure voltage: AC500V at 1 minute;
 - c: Contact resistance: Under 30m Ω ;
3. Insertion force & withdrawal force: 0.3-3kgf.
4. Salt spray test: 24H.
5. Meet RoHS.
6. Remark * is important specification.

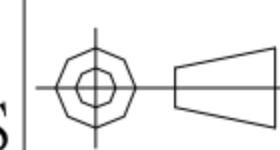


东莞市高迪电子有限公司
Dong Guan KDRR Electronic Switch Jack Co., Ltd.

TOLERANCE UNLESS OTHERWISE STATED :

Up to 5 ± 0.2
Above 5 ~ 15 ± 0.3
Above 15 ~ 30 ± 0.4
Above 30 ~ 50 ± 0.5
Angle $\pm 0.3^\circ$

3RD. ANGEL'S



UNITS MM

DRAWN BY: Ming Ming Zou
DATE: 6/8/23

CHECKED BY: Ning Ning Su
DATE: 6/8/23

APPROVED BY: Jia Xiang
DATE: 6/8/23

MAT'L		TITLE	JACK
FINISH		MODLE	DC POWER PLIG
SCALE	1 : 1	DWG NO.	GD-DC-CT-T6427-5520
SHEET NO.	1 of 1	PART NO.	

4	更新材質	Jack	050420
3	更新尺寸	Jack	121119
2	更新尺寸標示位置	Jack	082719
1	更新尺寸	Jack	080519
ITEM NO.	DESCRIPTION	DRAWN	DATE